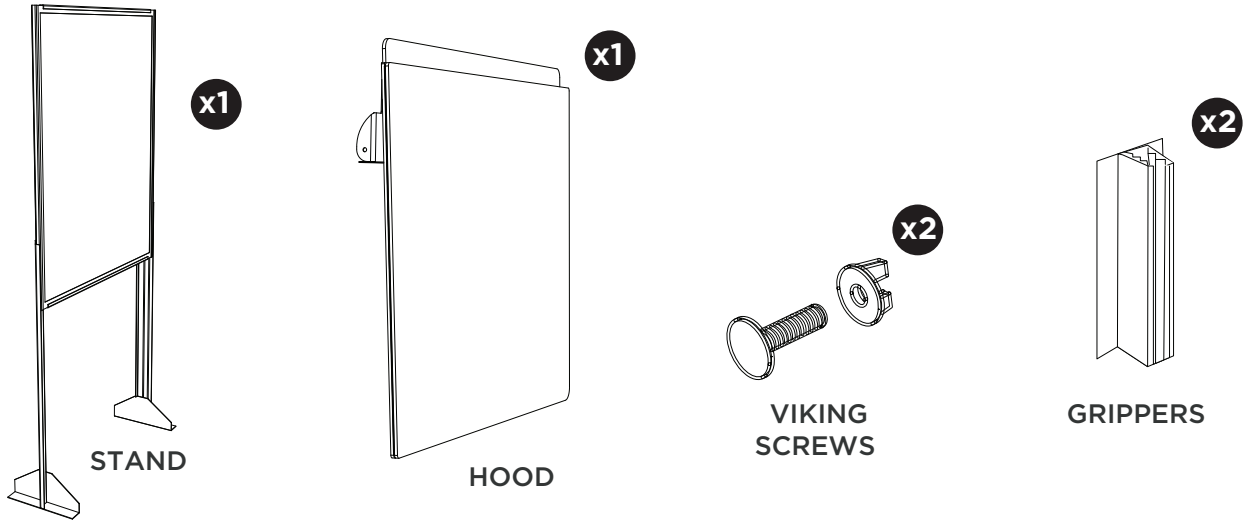


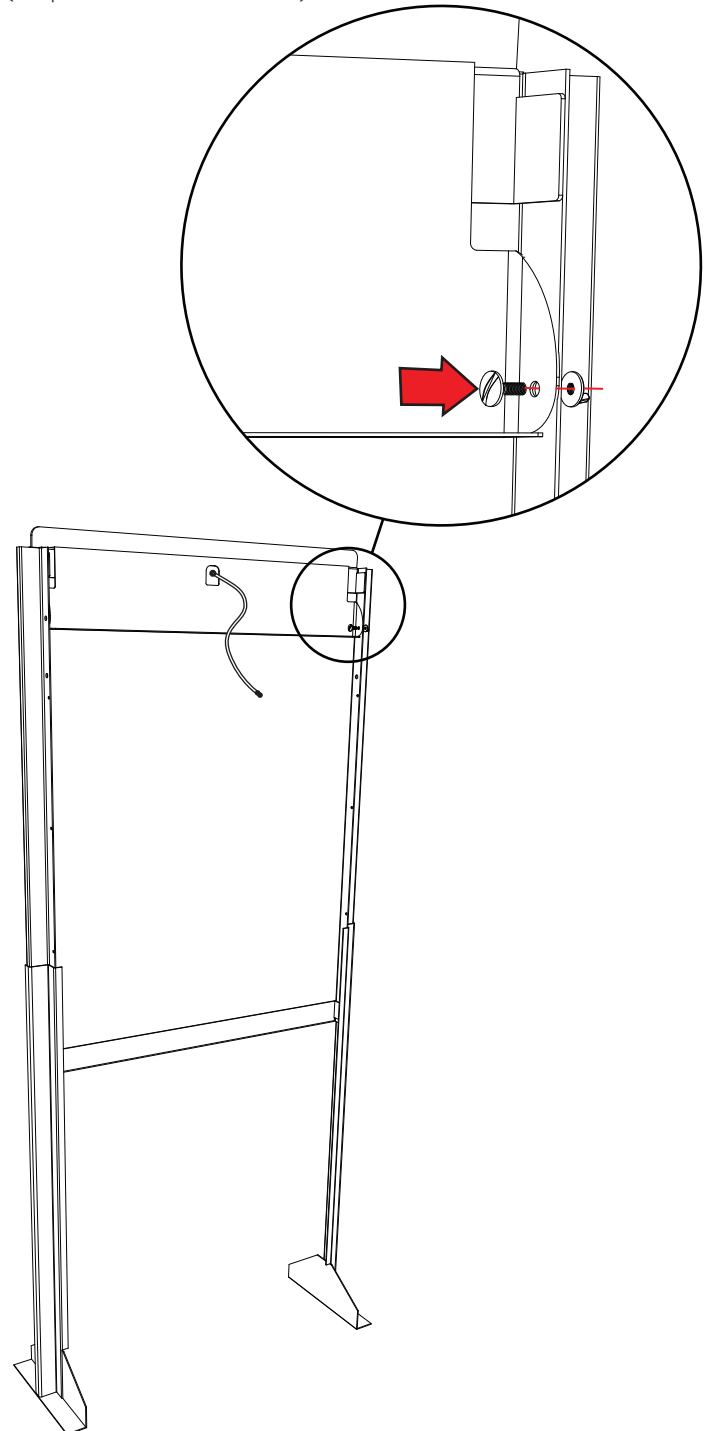
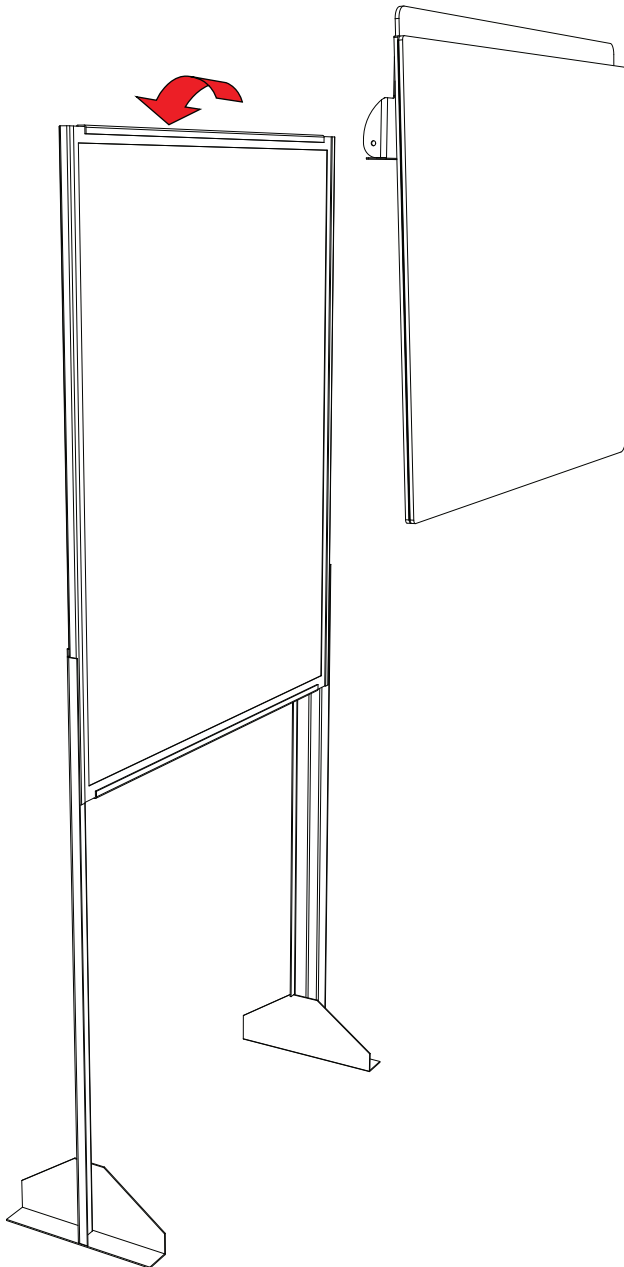
Photo Booth Hood - Assembly Instructions

Components

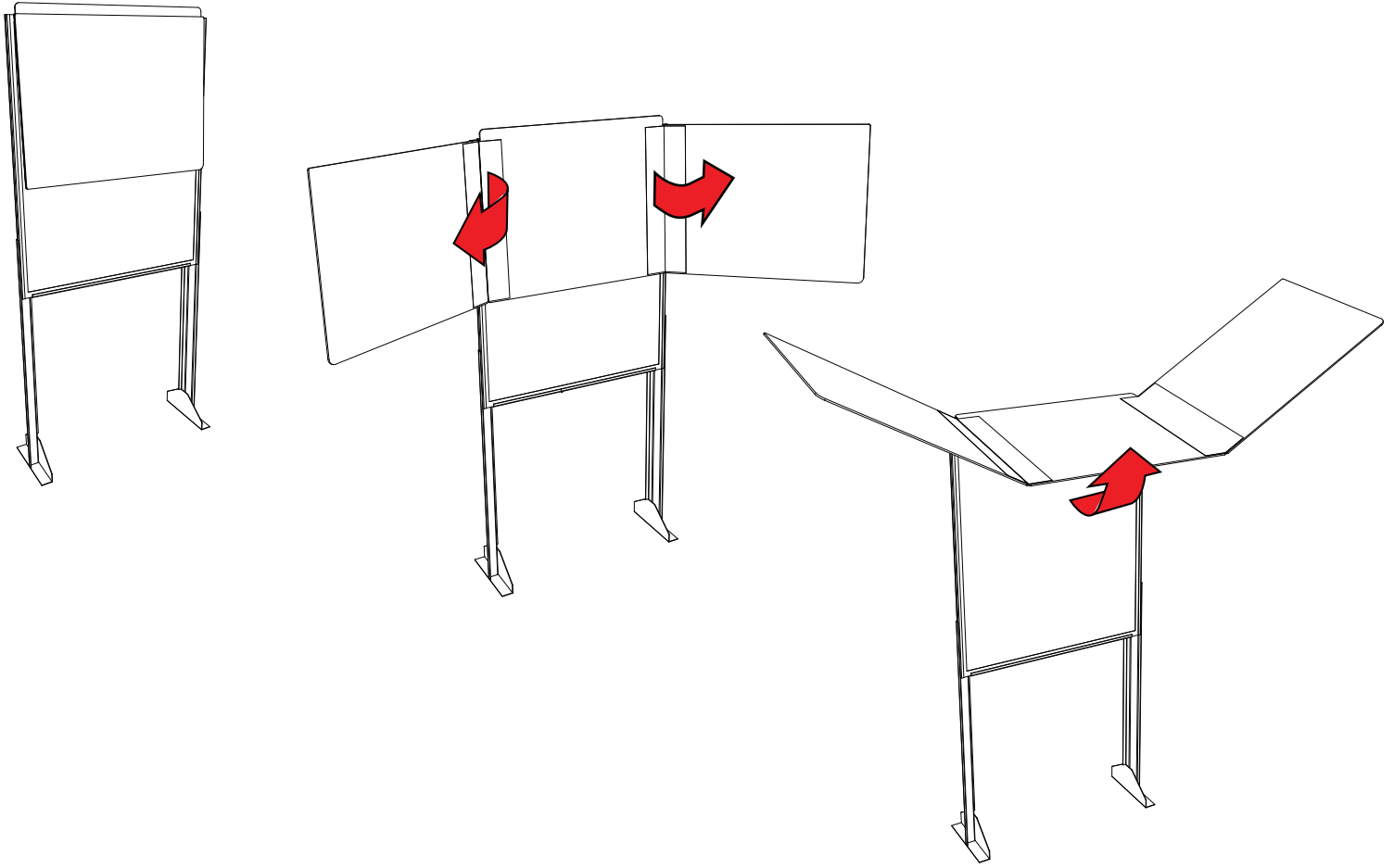


STEP 1: Hook hood over top edge of stand.

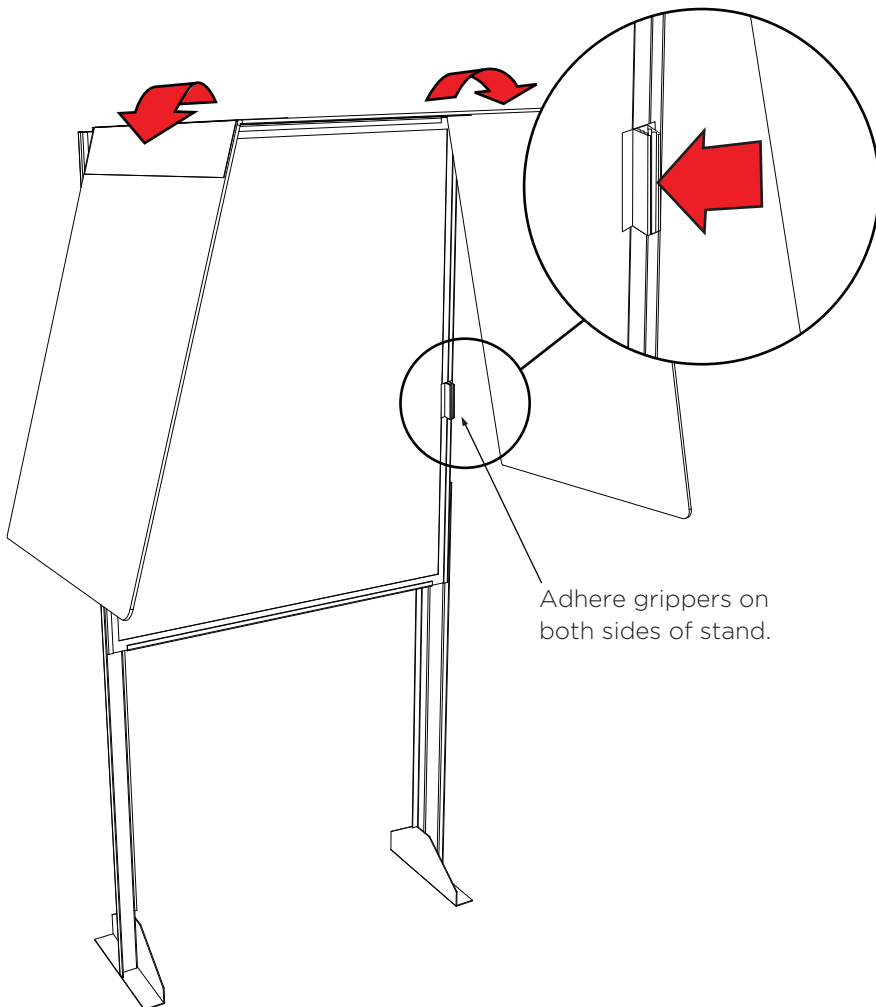
STEP 2: Feed cable through allocated hole before inserting screws to secure rear of hood to stand. (Repeat for both sides)



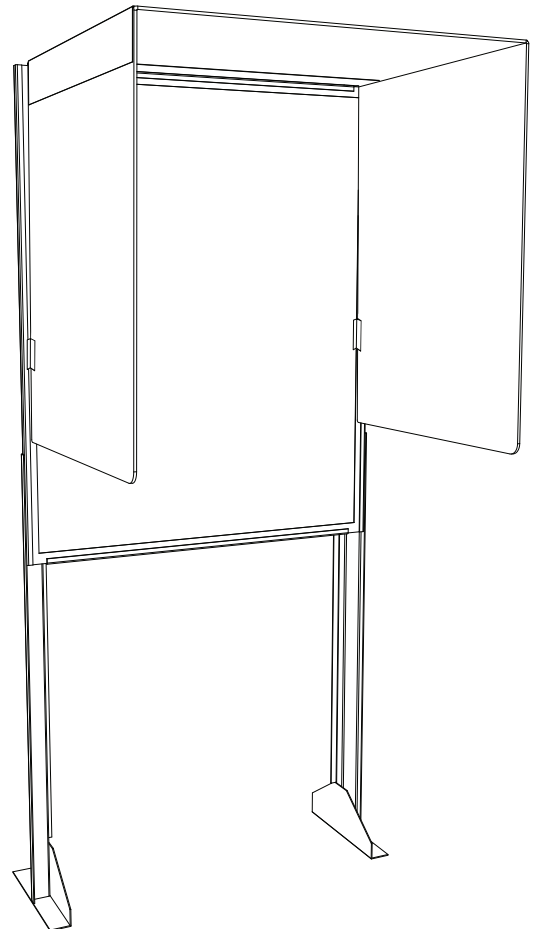
STEP 3: Unfold hood as shown.



STEP 4: Adhere Grippers to stand in shown position and Insert hood sides into grippers to secure.



COMPLETED PHOTO BOOTH HOOD



***perform steps in reverse order for hood removal**